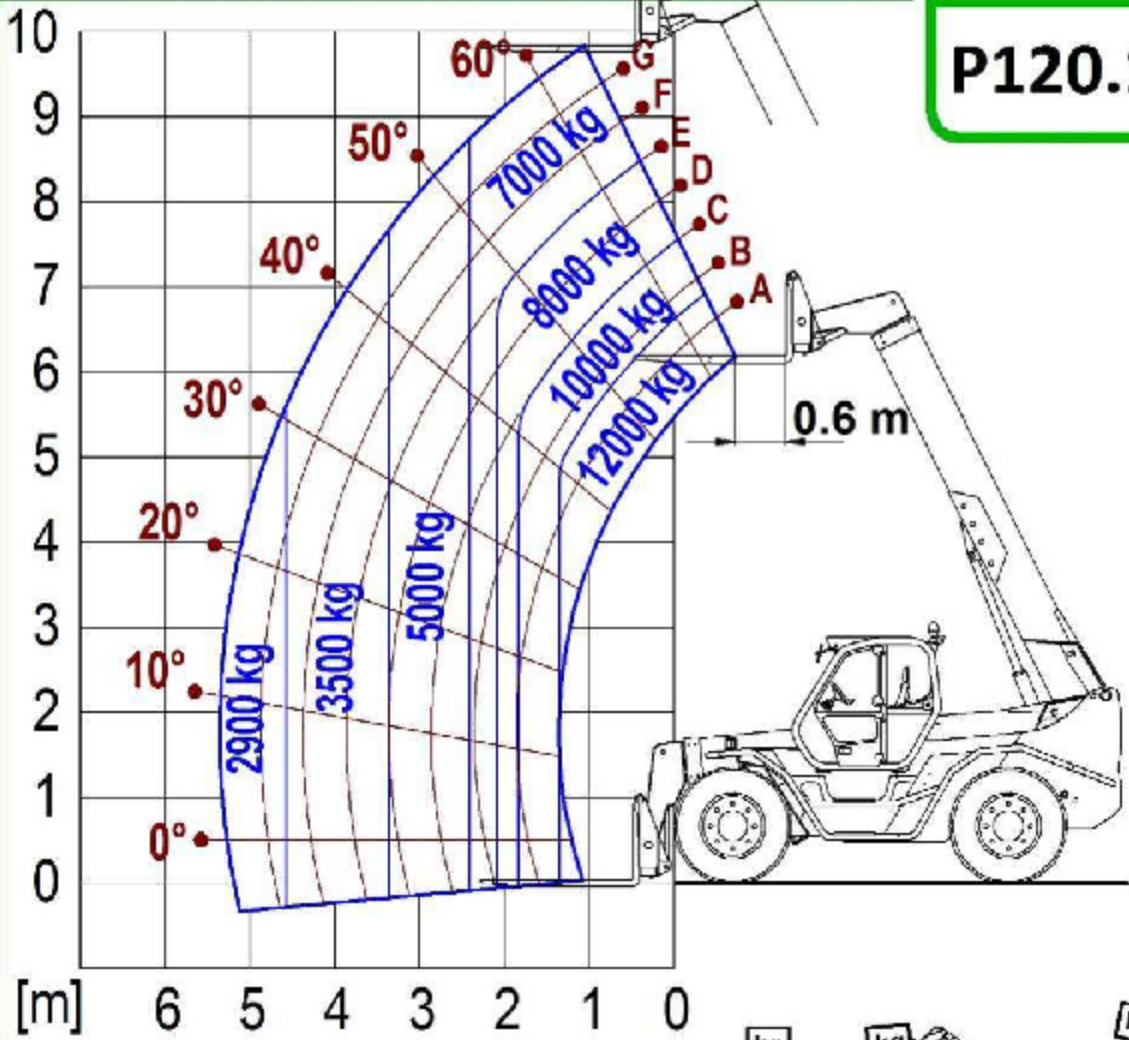


P120.10



ISO 22915-14 / EN 1459 Tab. B



- 17.5-25 22PR MITAS EM-20 (7,0 bar)
- 17.5-25 22PR MITAS EM-60 (7,0 bar)
- 17.5R25 MICHELIN X-MINE (7,0 bar)

